

MORE SAFETY MORE POWER

updated on 9th May, 2024

TSUN C&I Solution

TITAN Microinverter
DTU (Date Transfer Unit)
Meter



FOLLOW US

LinkedIn / Facebook / Twitter / Instagram / YouTube:
@TSUNESS

CONTACT US

Web: www.tsun-ess.com
E-mail: sales@tsun-ess.com

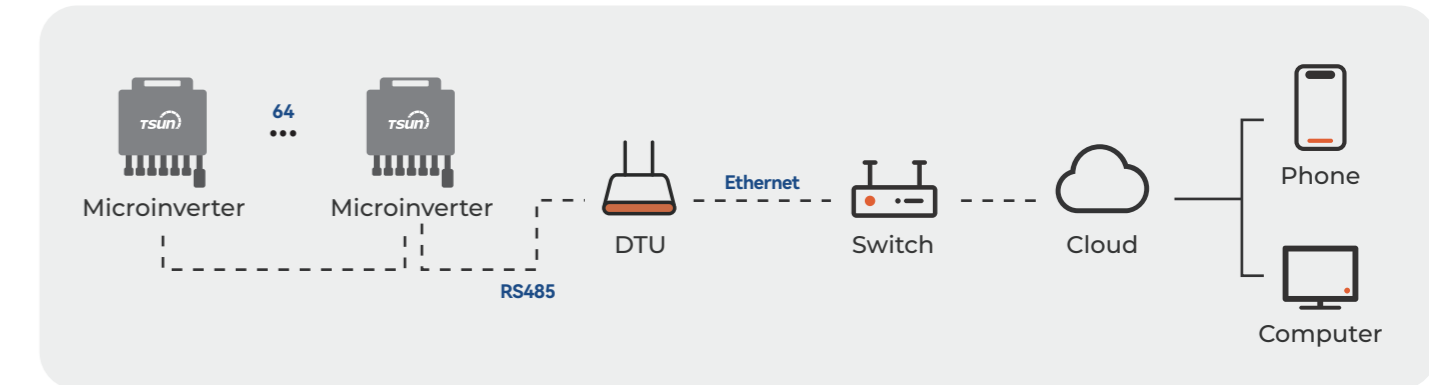
TSUNESS Co., Ltd

sales@tsun-ess.com www.tsun-ess.com +86-512-66186028

TITAN Microinverter DTU(Date Transfer Unit)

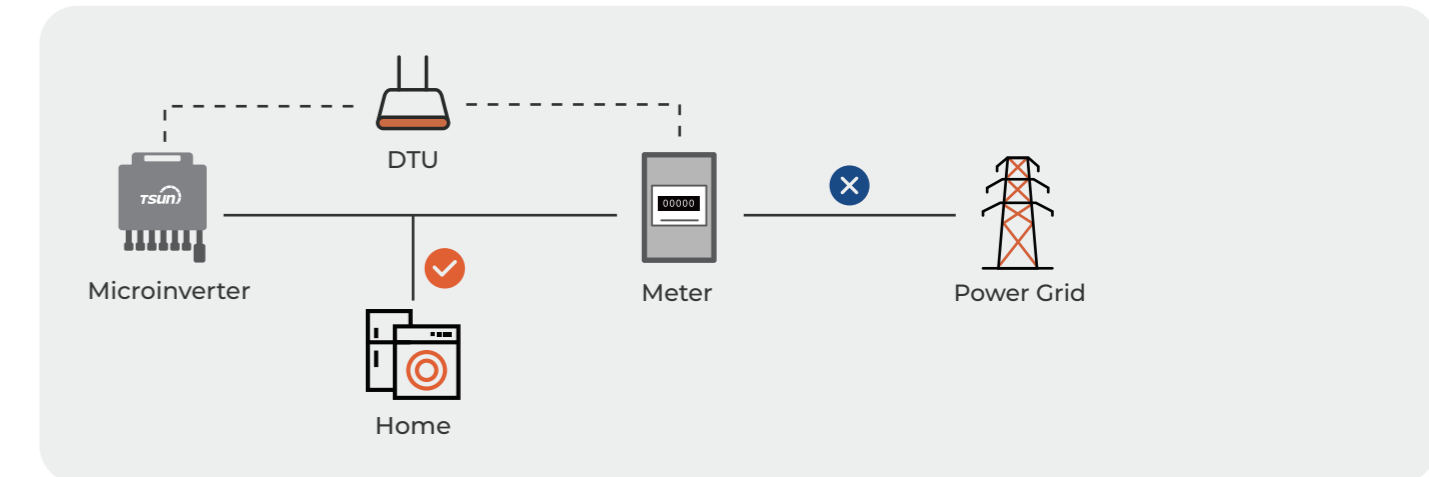
TSUN C&I SOLUTION

//// Data Collection



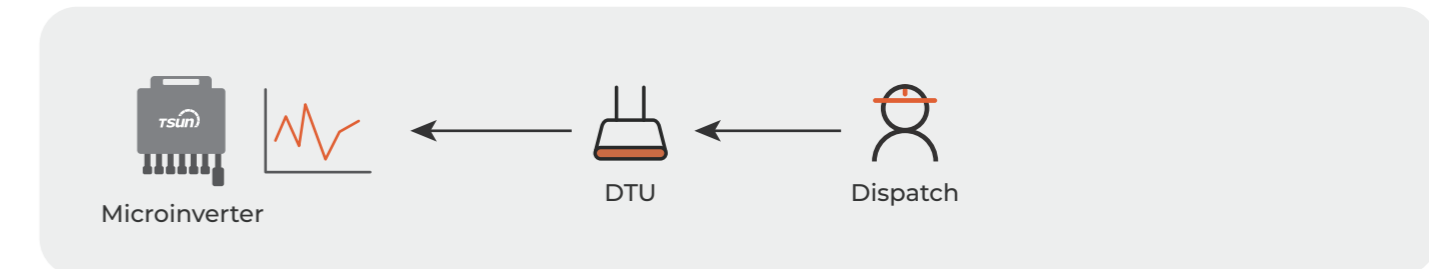
DTU can be used with RS485 micro inverters to monitor the operating status of the micro inverters.

//// Zero export

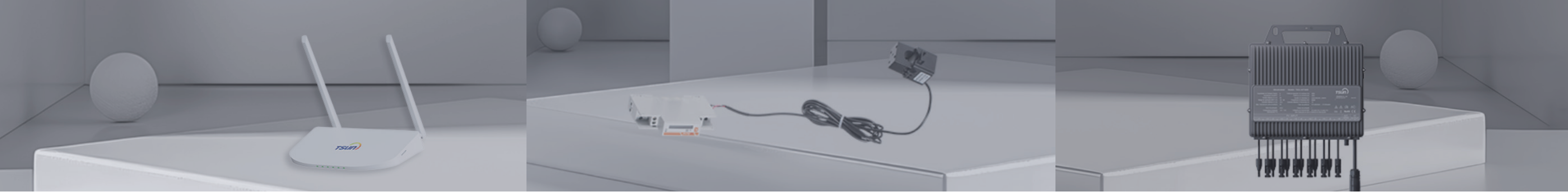


DTU can also connect to electricity meter devices, collect power grid information, and control the output power of the photovoltaic system to achieve zero-export function.

//// Remote dispatch



DTU also has an external communication interface, which can receive external dispatch commands and regulate output power of the system.



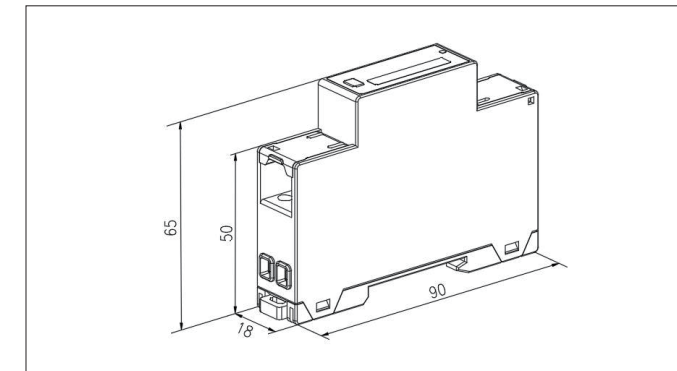
DTU (Date Transfer Unit)

Model	TSOL-MG3-MP
Communication to Microinverter(RS485)	
Communication port	RS485
Maximum Distance	500m
Baud Rate	9600 bps
Connection Limit	64 Microinverters
Communication to Meter(RS485)	
Communication port	RS485
Maximum Distance	100m
Grid Type	Single phase / Three phase
Baud Rate	9600 bps (4800 to 19200 optional)
Communication to Server(WiFi or Ethernet)	
Communication port	WiFi / Ethernet
WiFi Signal	WIFI (802.11 b/g/n)
WiFi Frequency	2.4GHz
Maximum Distance(WiFi)(Open Space)	100m
Ethernet Port	RJ45(802.3)
Ethernet Speed	10/100M Base-T
Maximum Distance(Ethernet)	500m
Sample Rate	Per 5 minutes
Communication to App	
Signal	Bluetooth 5.0
BLE Frequency	2.4GHz
Maximum Distance to mobile phone(Open Space)	50m
Power Supply	
Type	External adapter
Input Voltage/Frequency	100 to 240V AC / 50 or 60Hz
Power Consumption	2.5W(typical), 5W(maximum)
Mechanical Data	
Ambient Temperature(°C)	-20~+55
Mounting System	Wall mounted
Indicator Light	6*LED
Communication Port	2*RS485, 2*RJ45(DRM,Enthernet)

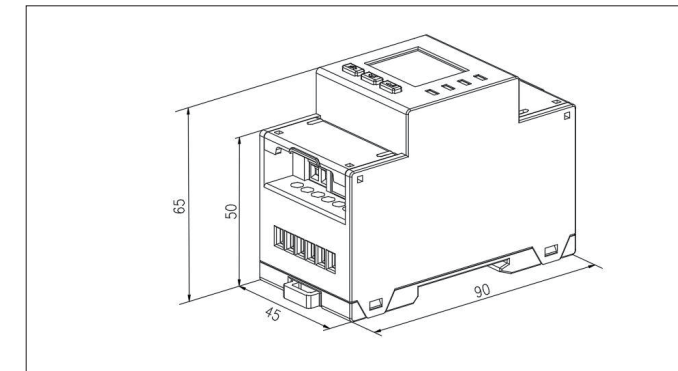
Meter

Model	Meter-S	Meter-T
Grid Type	Single Phase	Three Phase
Nominal Voltage	230V	230/400V
Frequency Range		45 - 65Hz
Input Current	80A, 120A, 200A, 300A	3×80A, 3×120A, 3×200A, 3×300A
Consumption		<0.2VA
Accuracy		±0.5%
Operating Temperature		-40°C ~ +70°C
Storage Temperature		-40°C ~ +70°C
Relative Humidity		≤95%, No Condensation
Altitude		≤3000m

Overall Dimensions

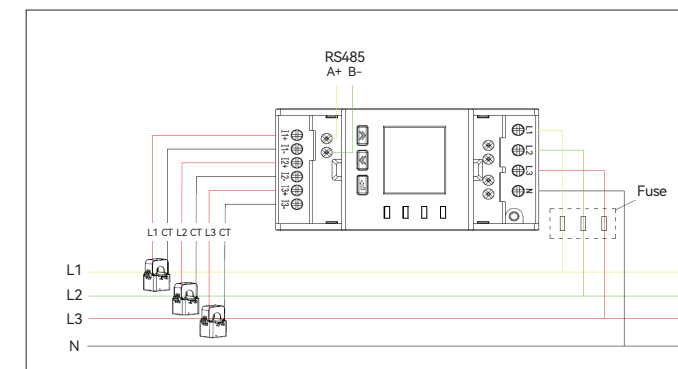
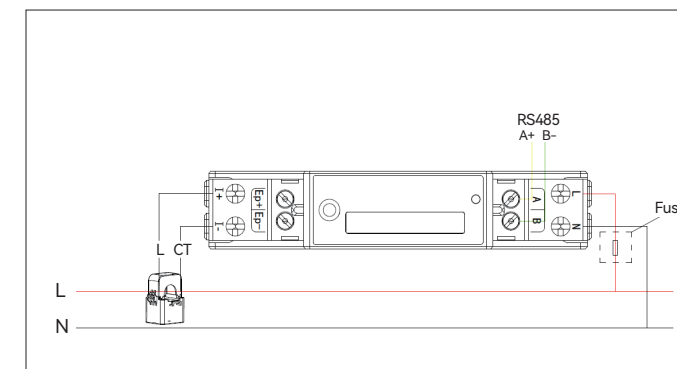


Meter-S



Meter-T

Schematic Diagram of Voltage and Current Connection



TITAN Microinverter

Model	TSOL-MP2250	TSOL-MP3000	TSOL-MS3000
Input(DC)			
Quantity of Input	4 inputs, 4 Panels	6 inputs, 5~6 Panels	4 inputs, 7~8 Panels
Recommended Module Power [W]	480~700+	480~700+	380~600+
Start up Voltage per Input@Rated condition [V]	22	22	24
Mppt Voltage Range per Input [V]	18~60	18~60	22~120
Max. Input Voltage per Input [V]	60	60	120
Max. Short-circuit Current per Input(A)	20	20	16
Max. Input Current per Input [A]	18.5	18.5	15
Quantity of MPPT	4	6	4
Output [AC]			
Max. Continuous Output Power [VA]	2250	3000	3000
Nominal Continuous Output Power [W]	2250	3000	3000
Nominal Output Current [A]	10.2	13.6	13.6
Max Output Current [A]	11	14	14
Nominal Output Voltage [V]	220/230/240, L/N/PE		
Nominal Frequency [Hz]	50/60		
Power Factor	>0.99 default, 0.8 leading ... 0.8 lagging		
Output Current Harmonic Distortion	<3%		
Efficiency			
Peak Inverter Efficiency	97.0%	97.1%	97.2%
CEC Weighted Efficiency	96.5%	96.6%	96.7%
Nominal MPPT Efficiency	99.9%	99.9%	99.9%
Mechanical Data			
Dimensions (WxHxD) [mm]	354 * 294 * 60		
Weight [kg]	6.4	7.2	6.8
General Data			
Display	LED indicators;TSUN APP+WEB		
Communication	RS485		
Type of Isolation	Transformerless		
Type of Enclosure	IP67		
Cooling	Natural convection		
Operating Ambient Temperature Range	-25 ~ +65 °C (derating of over 50°C Ambient Temperature)		
Night Time Power Consumption	<1W		
Standards	EN/IEC 62109-1, EN/IEC 62109-2, VDE-AR-N-4105, EN 50549-1, ABNT		
Protection			
Anti-Islanding protection	Integrated	AC short-circuit protection	Integrated
Insulation monitoring	Integrated	AC over/under voltage protection	Integrated
AC surge protection	TYPE II	AC over/under frequency protection	Integrated
Residual current monitoring	Integrated	Over-heat protection	Integrated
AC overcurrent protection	Integrated		