

# Microinverter Quick Installation Guide



## Microinverter Installation

- When choosing the position of installation, comply with the following conditions:
- To avoid unwanted power derating due to an increase in the internal temperature of the inverter, do not expose it to direct sunlight.
- To avoid overheating, always make sure the flow of air around the inverter is not blocked.
- Do not install in places where gasses or flammable substances may be present.
- Avoid electromagnetic interference that can compromise the correct operation of electronic equipment.


## Installation Steps

### DANGER

- Before installation, check the unit to ensure absence of any transport or handling damage, which could affect insulation integrity or safety clearances.
- Unauthorized removal of necessary protections, improper use, incorrect installation and operation may lead to serious safety and shock hazards or equipment damage.
- Be aware that installation of this equipment includes risk shock of electric.

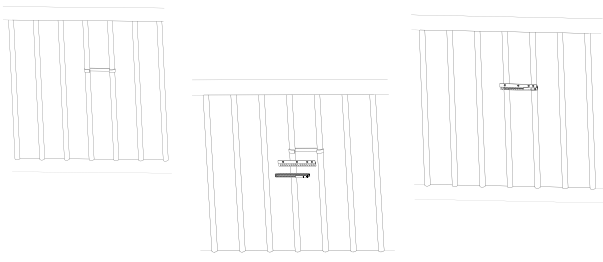
## Step 1. Install the bracket

### WARNING

- Choose installation location carefully and adhere to specified cooling requirements. Micro-inverter should be installed in a suitable position with good ventilation and no directly sunshine.
- Please use your mobile phone to check the WiFi signal strength at the installation location, ensuring that the WiFi signal is at least two bars. If the WiFi signal is not good, please try installing the microinverter in another location or moving the WiFi router. 

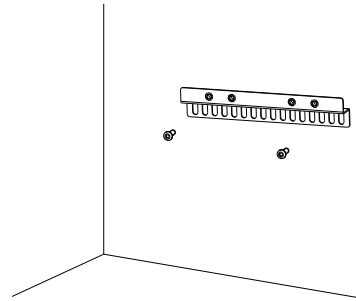
### Balcony Installation

Choose a suitable position, fix the buffer strip on the railing, and then use stainless steel rolling strip to fix the bracket.



### Wall Installation

Fix the bracket to the wall with screws in a suitable position.



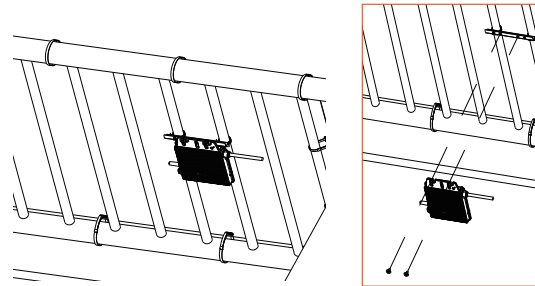
## Step 2. Fix the microinverter

### DANGER

- Do not install the equipment in adverse environment conditions such as flammable, explosive, corrosive, extreme high or low temperature, and humid.

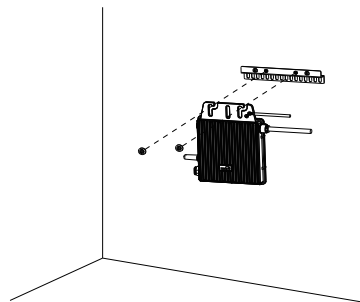
### Balcony Installation

Using two pairs of screws and nuts to fix the microinverter on the frame. Make sure that the label of microinverter should be upside.



### Wall Installation

Using two pairs of screws and nuts to fix the microinverter on the frame. Make sure that the label of microinverter should be upside.

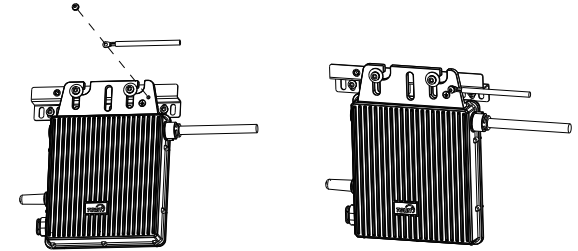


## Step 3. Connect the ground cable

### WARNING

- Ensure that all microinverters are well grounded.
- Use #6 screw for the ground port.

Connect the ground cable to the enclosure of the microinverter.



## Step 4. Connect AC end cable

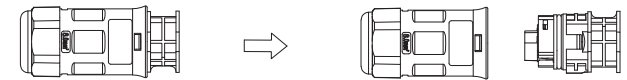
### WARNING

- Ensure that all AC cables are correctly wired and that none of the wires are pinched or damaged.
- Use AWG 16 (1.5 mm<sup>2</sup>) cable for AC end cable.

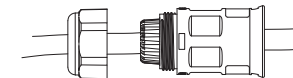
### CAUTION

- The AC connectors may be provided by different suppliers. The port definitions are subject to actual objects.

Separate the AC connector as shown below.



Get the AC cable through the shell of AC connector and connect the cable to the right port.

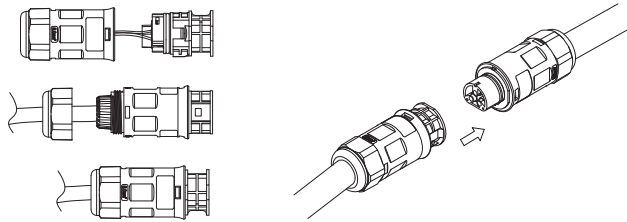


The definition of the port is shown below:



L:	Live	_____	(Brown/Red)
N:	Neutral	_____	(Blue/Black)
PE:	Ground	_____	(Yellow-Green)

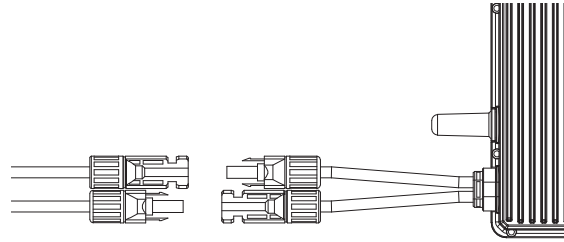
Reassemble the AC connector. plug it into the microinverter and connect the AC cable to the AC distribution box.



### Step 5. Connect DC cable

<b>DANGER</b>
· When the photovoltaic array is exposed to light, it supplies a DC voltage to the inverter.
<b>WARNING</b>
· Ensure that all DC cables are correctly wired and that none of the wires are pinched or damaged. · The DC conductors of this photovoltaic system are ungrounded and may be energized. · The maximum open circuit voltage of the PV module must not exceed the specified maximum input DC voltage of the TSOL micro inverter.
<b>CAUTION</b>
· If the DC cable is too short for installation, use a DC Extension Cable to connect PV modules to the microinverter. · Use MC4 compatible DC connectors in the inverter side of DC extension cable, or get the DC connectors form TSUN. · Contact PV module manufacturers for the requirements of DC connectors in the module side of DC extension cable.

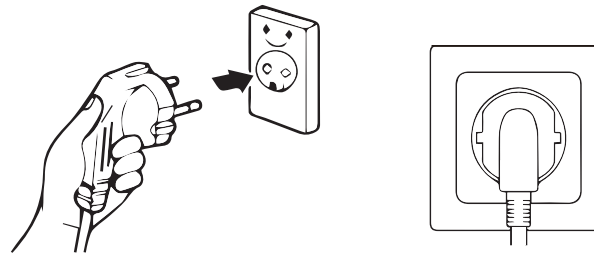
Install the PV modules and connect the DC cable to the microinverter.



### Step 6. Start the system

<b>CAUTION</b>
· Do not connect micro-inverters to the grid or energize the AC circuit(s) until you have completed all the installation procedures

While installation is all finished, After plugging in the socket and connecting to the power supply. Your system will start producing power after about a two-minute wait time.



The LED will flash green and red at start up. The definition of LED is shown as below.

Status	Indicates
Flashing Green (0.2-0.8s)	Working normally
Flashing Red	Working abnormally
Solid Red	Fault

### Step 7. Monitoring and other information explanation

After completing the installation, please use the Monitoring User Guide and Monitoring User Manual to download the monitoring platform and register your account.

For more detailed information, please scan the QR code to read.



EU Declaration of Conformity (DOC)



Full Manual Microinverter

TSUNESS Co., Ltd

E-MAIL : sales@tsun-ess.com

WEB : www.tsun-ess.com

TEL : +86-512-66186028

